

GENERAL

ALIAMAG AMF100 Series is an insertion type electromagnetic flowmeter ideal for conductive liquids. It comes in sizes from 150 to 6000 mm. AMF100 is widely used for tap-water, waste water, food & beverage, Pulp & Paper and many other industrial fluid. AMF100 Series electromagnetic flowmeter could be used in compact or separate type with AMC Series converter of electromagnetic flowmeter.

FEATURES

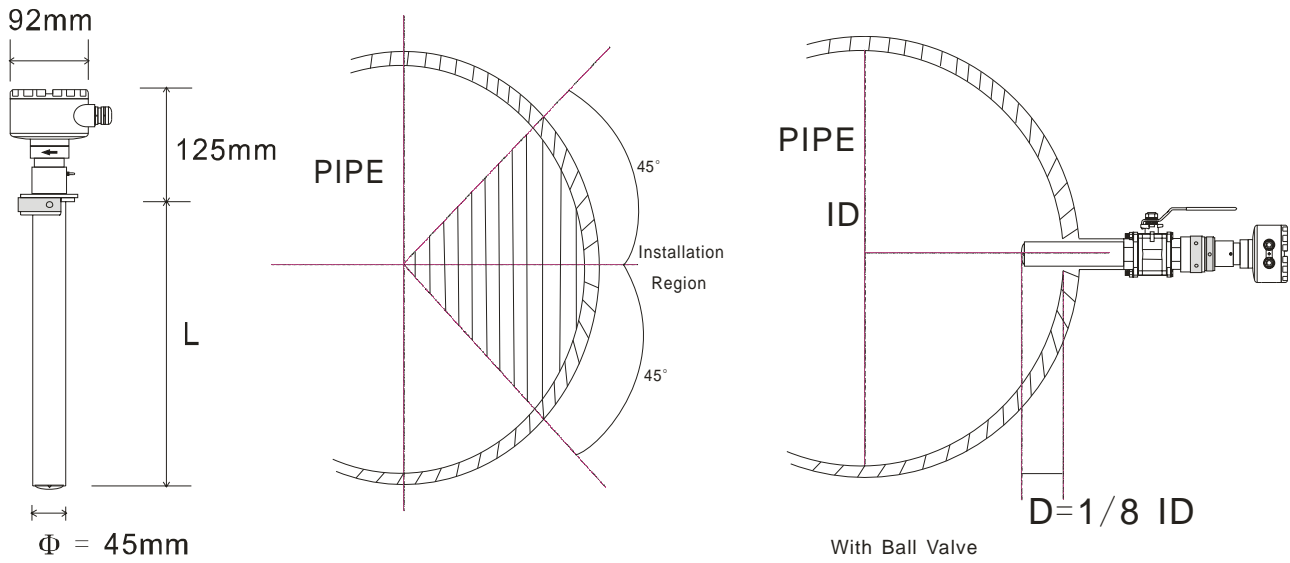
- Light and compact version
- Measuring range up to 12 m/s
- Suitable for permanent or temporary installation
- Price virtually independent of pipe diameter
- Hot-tap into pressurised pipe
- Good accuracy over wide operating flow range
- With Forward/Reverse flow rate measurement function
- Stable calibration and reliable operation

STANDARD SPECIFICATION

- | | | | |
|----------------------|--|------------------------|--|
| ● Size | : 150 , 200 , 250 , 300 , 350 , 400 , 450
500 , 600 , 700 6000 mm | ● Cable Entry | : Standard: PG11 Option:1/2"NPTF |
| ● Measuring Range | : Velocity 0-0.25 m/s min.
0-12 m/s max. | ● Grounding Resistance | : Must be less than 10 Ω |
| ● Material | Protection Tube : Stainless Steel 316
Screw : Stainless Steel 316
Electrode : Stainless Steel 316L
Cap : PTFE
Ball Valve : Stainless Steel 316(Optional)
Hot-Tap Tool / Kit : Stainless Steel 304(Optional) | ● Accuracy | : +/-2% of reading (Velocity≥0.5 m/s)
: +/-0.8% of Full Scale (F.S.>2 m/s)
: +/-0.01 m/s (Velocity < 0.5 m/s) |
| ● Mounting | : Compact or Separate | ● Repeatability | : +/-0.4% of reading |
| ● Process Connection | : Threaded : Threaded, 2" BSP Female
Flange : Flange, JIS / ANSI / DIN | ● Process Temperature | : -10 ~ 80 °C |
| ● Installation | : Direct insert to the pipe
: Insert with Ball Valve
: Hot-Tap into pressurised pipe | ● Ambient Temperature | : -25 to +70 °C |
| ● Protection Class | : IP 67
: IP 68 (Submersible) | ● Max. Pressure | : 10 Kg/cm ² |
| ● Explosion Proof | : Exd(ib)ibqIIBT5
(with AMC3200 only) | ● Conductivity | : More than 10 uS/cm |
| | | ● Weight | : 3 ~ 10 Kg |
| | | ● Coil Resistance | : 70 - 98 Ω |
| | | ● Sensor Diameter | : 45 mm |
| | | ● Sensor Length | : 310mm (for 150 ~ 600mm pipe ID)
550mm (for 600 ~ 2400mm pipe ID)
800mm (for 2400 ~ 4200mm pipe ID)
1050mm (for 4200 ~ 6000mm pipe ID) |

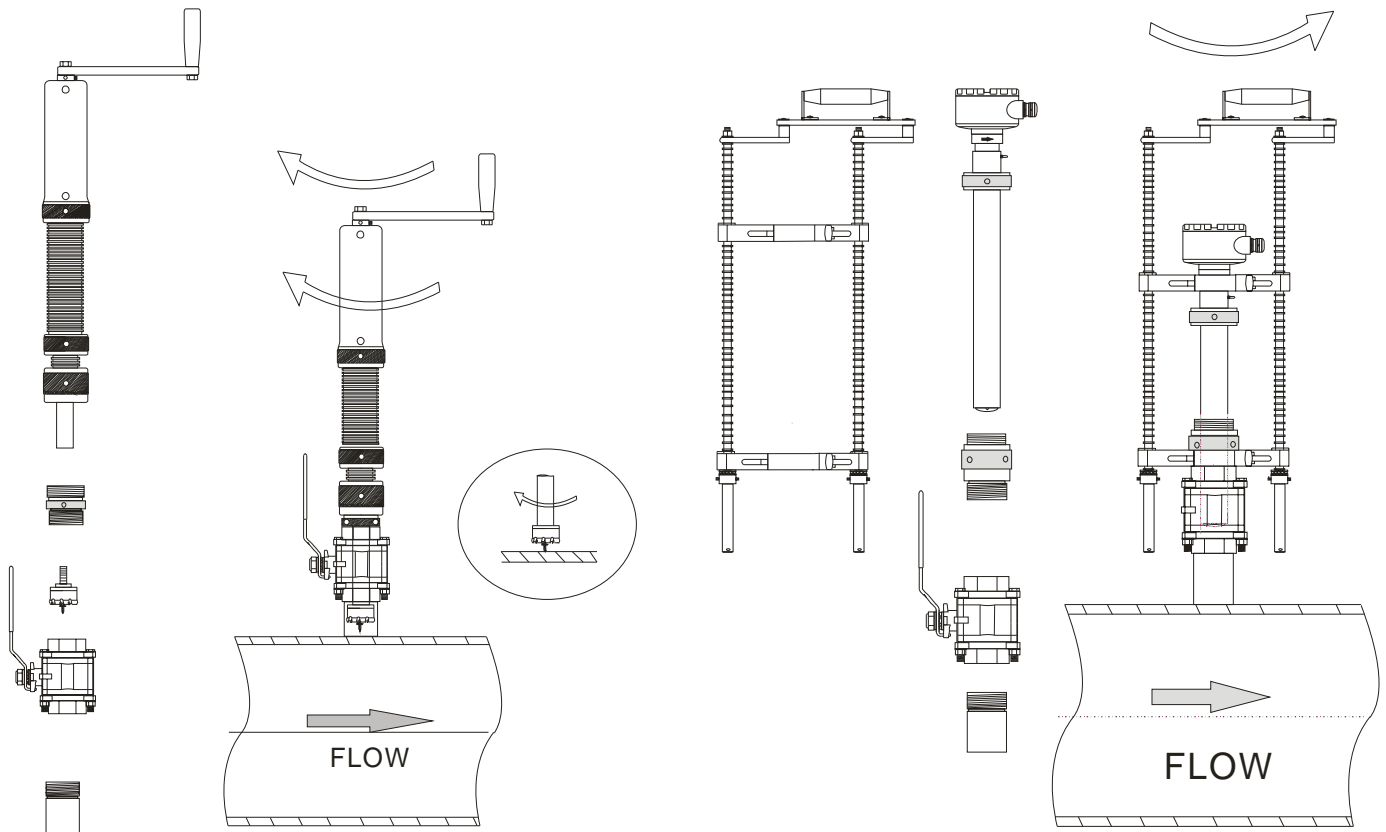


➤ DIMENSIONS



L (mm)	Direct install (Thread)	Direct install (Flange)	Install with Ball valve	Hot-Tap into pressurised pipe
310	DN 150 - 1800 mm	DN 150 - 1000 mm	DN 150 - 400 mm	DN 150 - 600 mm
550	DN 1800 - 3800 mm	DN 1000 - 2800 mm	DN 400 - 2200 mm	DN 600 - 2400 mm
800	DN 3800 - 6000 mm	DN 2800 - 4800 mm	DN 2200 - 4200 mm	DN 2400 - 4200 mm
1050		DN 4800 - 6000 mm	DN 4200 - 6000 mm	DN 4200 - 6000 mm

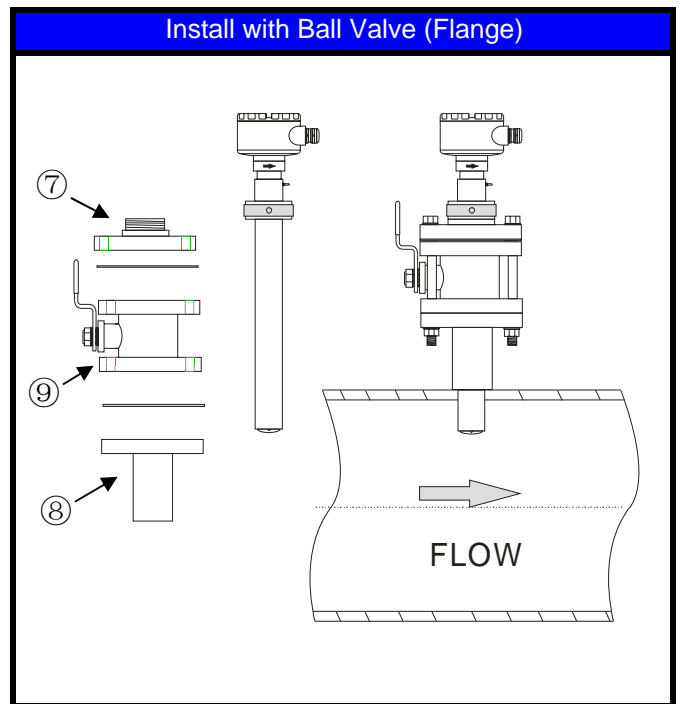
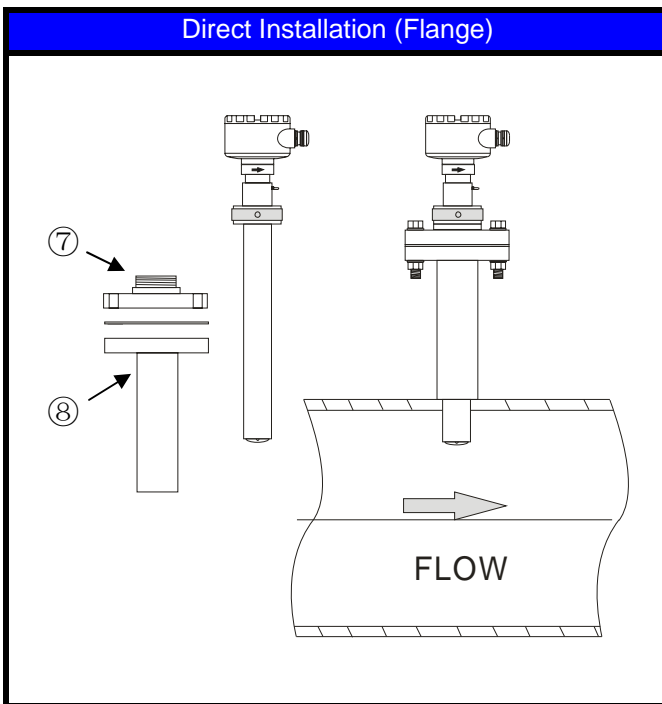
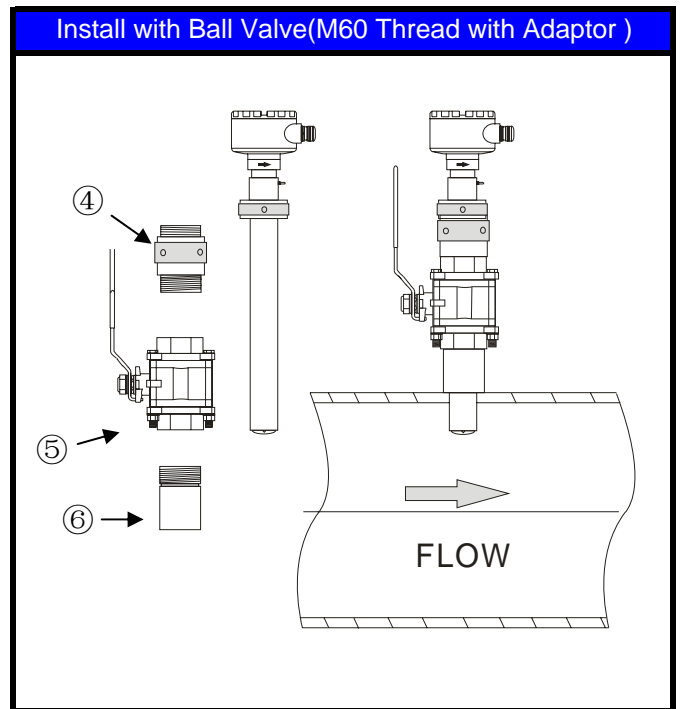
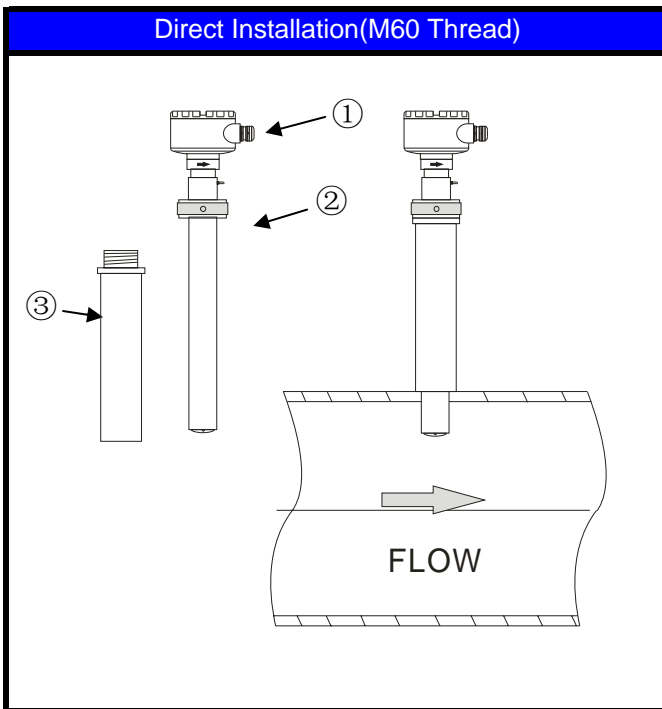
➤ HOT-TAP & UNDER PRESSURE INSTALLATION KIT



Hot-Tap Machine

Under Pressure Installation Kit

➤ **INSTALLATION**



①	Junction Box	Cable Entry PG11
②	Nut	M60 Thread (Female)
③	Extension Tube 1	M60 Thread (Male) / Welding (Optional)
④	Adapter 1	M60 Thread (Male) / 2" BSP (Male)
⑤	Ball Valve	2" BSP Female
⑥	Extension Tube 2	2" BSP (Male) / Welding (Optional)
⑦	Adapter 2	M60 Thread (Male) / Flange
⑧	Extension Tube 3	2" Flange / Welding (Optional)
⑨	Ball Valve	2" Flange End

MODEL SELECTION GUIDE

AMF100 Series										
Example:AMF100-T0350-1SN8-020-SV/EX/PT										
AMF100-	X	XXXX	-X	X	X	X-	XXX	-XX	Description	
Fitting	T								Direct installation, M60 thread Female	
	F								Flange	
Pipe Size	0150 ~ 6000									0150 ~ 6000mm(internal diameter)
Sensor Length	-1								310 mm	
	-2								550 mm	
	-3								800 mm	
	-4								1050 mm	
	-Z								Special length	
Electrode Material	S								Stainless Steel 316L	
	Z								Others	
Flange Specification	N								None	
	J								50A JIS 10K	
	A								2" ANSI 150#	
	P								DN50 PN10	
	Z								Others	
Protection Class	8-								Junction box IP67, Body IP68	
	9-								IP68 (Submersible, Separate with Converter Only)	
Installation & Cable Length	NNN								Compact Version (with AMC2100)	
	SSS								Compact Version (with AMC3200/AMC3200E/AMC4000)	
	010~300								Separate Version, Cable 10M ~ 300M	
Option	-NN								None	
	-SV								Stainless Steel 316 Ball Valve 2" BSP Female + Adapter 1	
	-FV								Stainless Steel 316 Ball Valve 2" Flange	
	-HM								Hot-Tap Machine	
	-EX								Explosion Proof, Exd(ib)ibqIIBT5 (with AMC3200 only)	
	-PT								Cable Entry 1/2" NPTF	
	-PK								Under Pressure Installation Kit	
	-ET								Extension Tube	

The following information must be provided before order:

1. Pipe Inside Diameter (ID)
2. Pipe Outside Diameter (OD)
3. Pipe Material
4. Extension Length (L)
5. Flange type or 2"BSPM
6. Fluid Name
7. Op. Temperature
8. Op. Pressure

