



# ALIAPANEL

## Flow Computer

### Model AFC365 Series

## GENERAL

**ALIAPANEL** AFC365 Series Flow Computer is a microprocessor-based instrument designed to measure compensated flow in industrial environment. The AFC365 incorporates the Ideal Gas / Steam / Natural Gas compensation. The Backlit LCD display simplifies programming and clearly indicates all parameters as well as engineering units.



## FEATURES

- DIN Size (96mm\*96mm), 320\*240 Pixels, 4-line LCD display
- Built-in 8MB memory, applicable to long-term data record
- Common input signal: mA, RTD, Frequency etc.
- High Accuracy +/-0.1% of Reading
- 4-20mA / Relay / RS485 output
- Ideal Gas/ General Gas / Steam / Energy formula
- 24VDC Aux. power supply available for 2 wires system
- Fascia Sealing for IP65(NEMA 4X) water tight
- Hourly / Daily / Monthly / Yearly history data record

## STANDARD SPECIFICATION

- Number of Inputs : 3 Channels
- Flow Function
  - Input : 4-20 mA / Frequency (0-10 KHz)
  - Display : 5 digits flowrate with decimal point
  - : 13 digits totalizer with decimal point
  - Accuracy : +/-0.1% of reading
- Temperature Function : one or two point (Energy calculator)
  - Input: PT100 / 4-20 mA
  - Display : 4 digits temperature value with decimal point
  - Accuracy : +/-0.1 °C
- Pressure Function
  - Input : 4-20 mA
  - Display : 5 digits pressure value with decimal point
  - Accuracy : +/-0.1% of reading
- Calculation Function : Ideal Gas, Temperature & Pressure Comp.
  - : General Gases, Temp & Pressure Comp.
  - : Natural Gas, NX-19<sup>2</sup> Formula
  - : Saturated Steam, Superheated Steam
  - : Liquid Mass, Density calculation
- Alarm Types : High & Low alarm, Incr. & Decr. alarm
- Aux. Power Output : 12VDC / 24VDC, 100mA for Flow Transmitter
  - : 24VDC, 100mA for Temperature Transmitter
  - : 24VDC, 100mA for Pressure Transmitter
- Output : 4-20 mA, Load 750 Ω \* 1 point
  - : Relay, 3A/250V \* 1 point
- Display : 3.5" Mono-screen LCD with Backlit
- Response Time : 100 ms
- Keypad : 6 keys for programming and display control
- Engineer Unit : 21 different engineering units
- Parameter Protection : 2 Password entries (6 Digits) for Supplier and User
- Logging Rate : 1 minutes ~ 60 minutes Per Data
- Recording Capability : 30 days (1 Data/minutes)
  - : 1800 days (1 Data/Hour)
- Storage Memory : 8 MB (on board)
- Recycling Mode : Newest data overwrites oldest data
- Protection Class : NEMA4 / IP65 (Fascia sealing)
- Weight : 0.5 Kg Maximum
- Dimensions : 96mm (W) \* 96 mm (H) \*150 mm (D)
- Ambient Temperature : -10 ~ +60 °C
- Ambient Humidity : 10% ~ 85%RH (5 ~ 40 °C)
- Power Supply : 85-260VAC, 50/60Hz
- Vibration Test : 10~60Hz, 10 m/S<sup>2</sup> for 3 hours
- Power Consumption : ≤10 W
- Communication : RS485 (MODBUS Protocol)
- Parameter Storage : Operation parameters are stored by EEPROM for more than 10 years

## ALIA TECHNOLOGY LLC

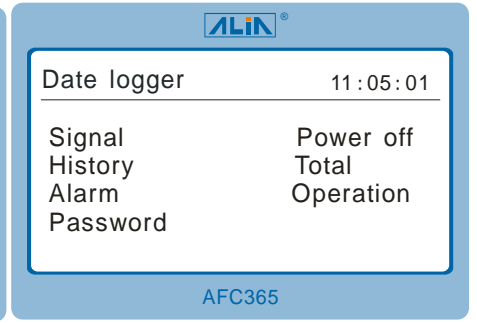
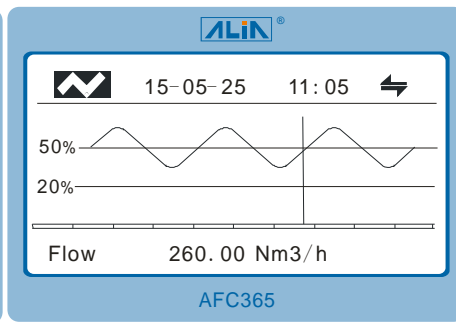
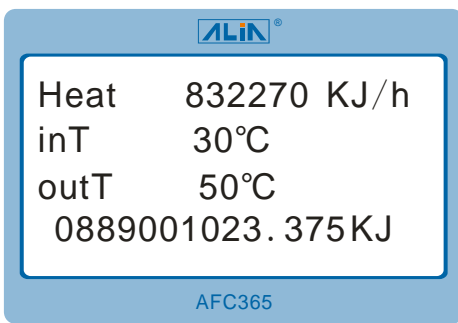
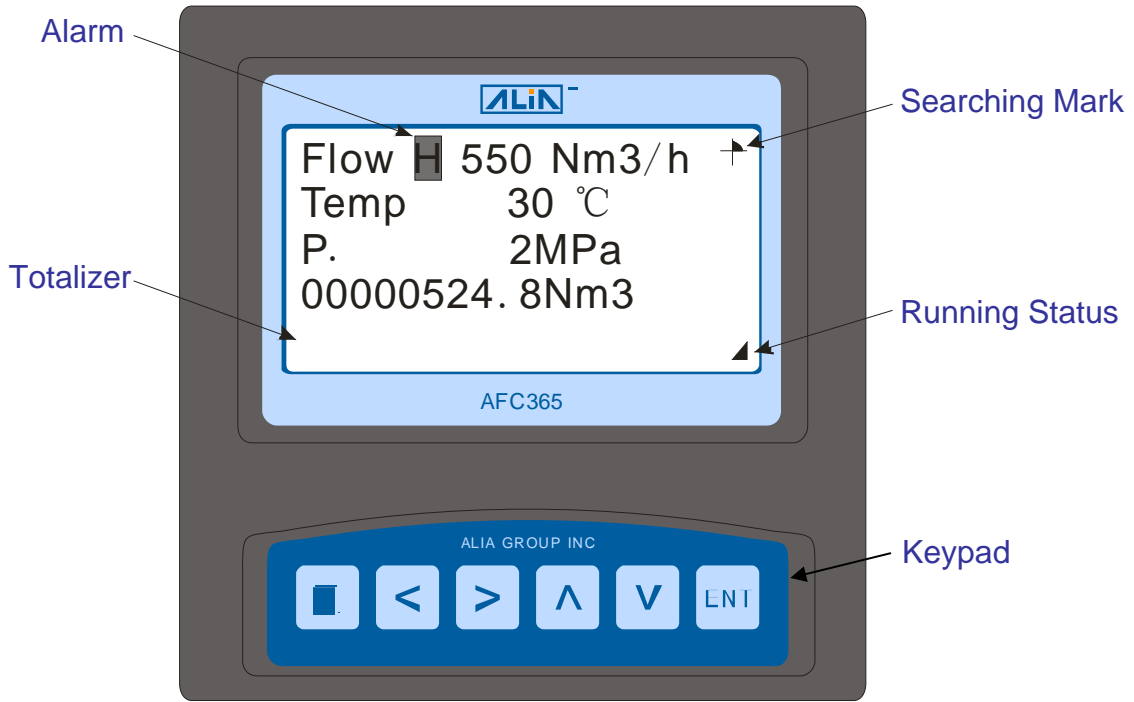
633 W. 5th Street, 26th Floor, Los Angeles, CA 90071, USA  
TEL : + 1 - 213 - 533 - 4139 FAX : + 1 - 213 - 223 - 2317



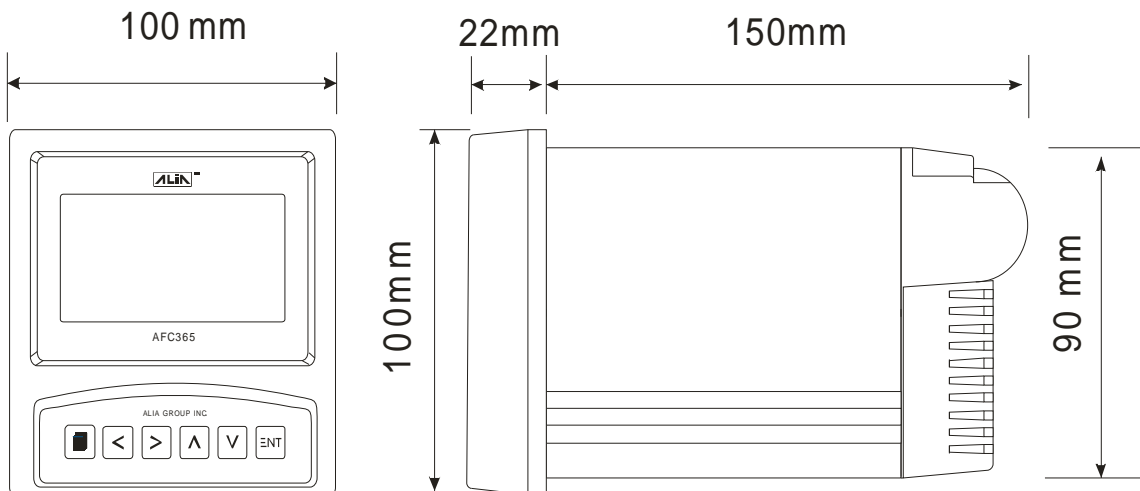
URL : [www.alia-inc.com](http://www.alia-inc.com)  
E-mail : [alia@alia-inc.com](mailto:alia@alia-inc.com)  
AFC365V1.2.1.r1.A4.en



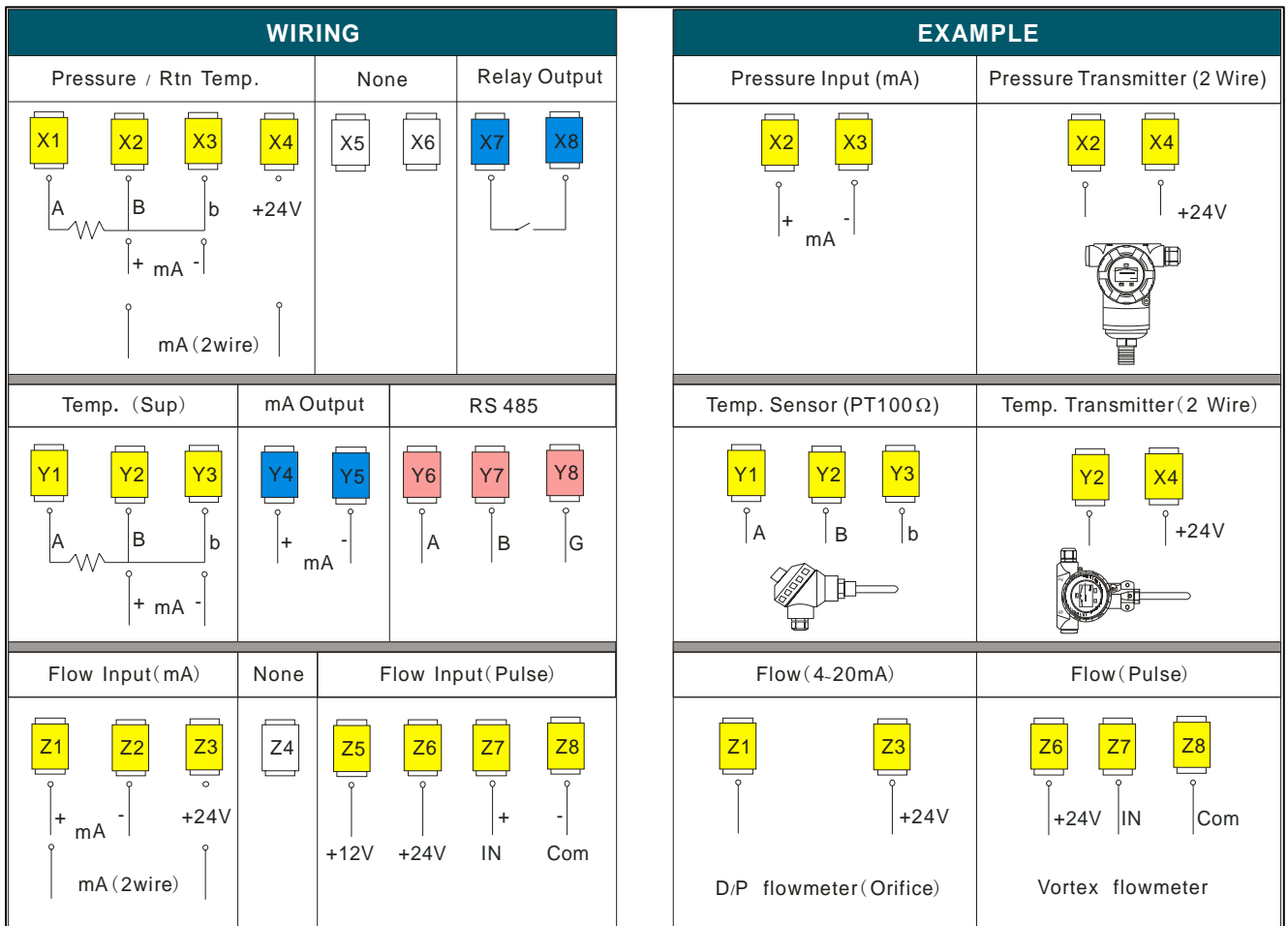
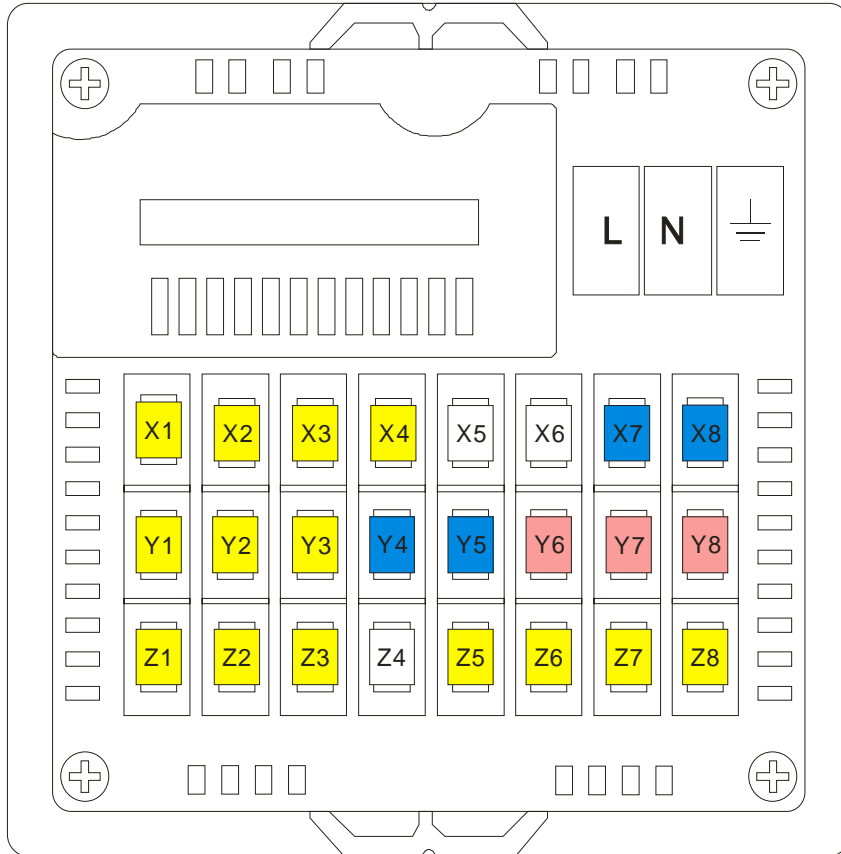
FUNCTIONS



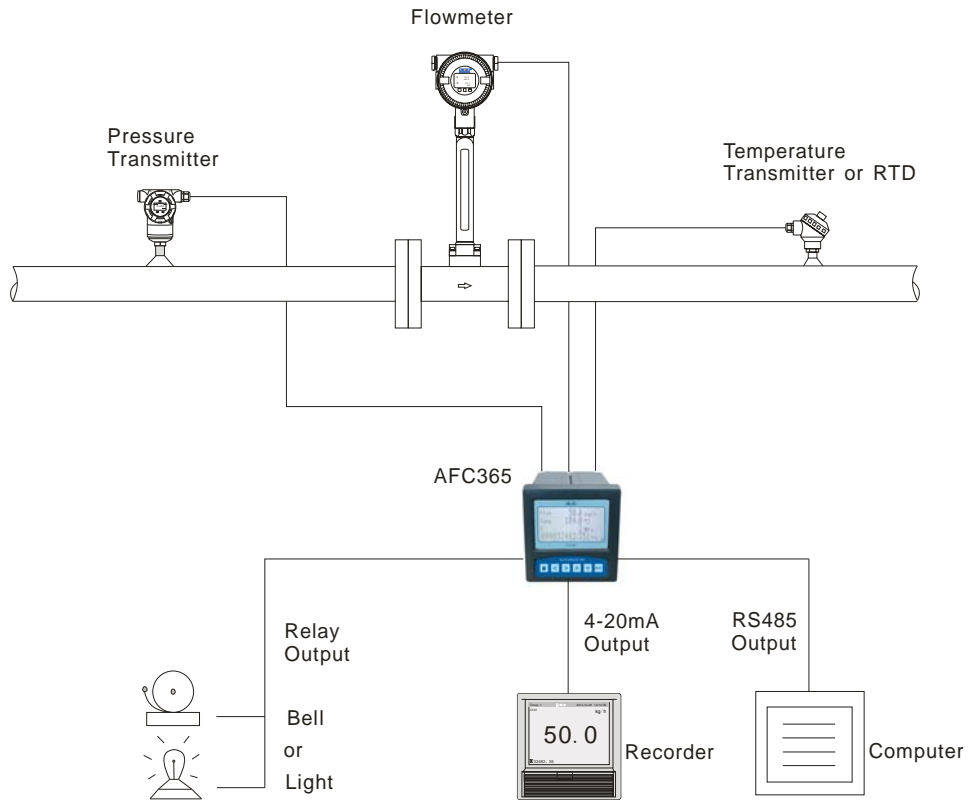
DIMENSIONS



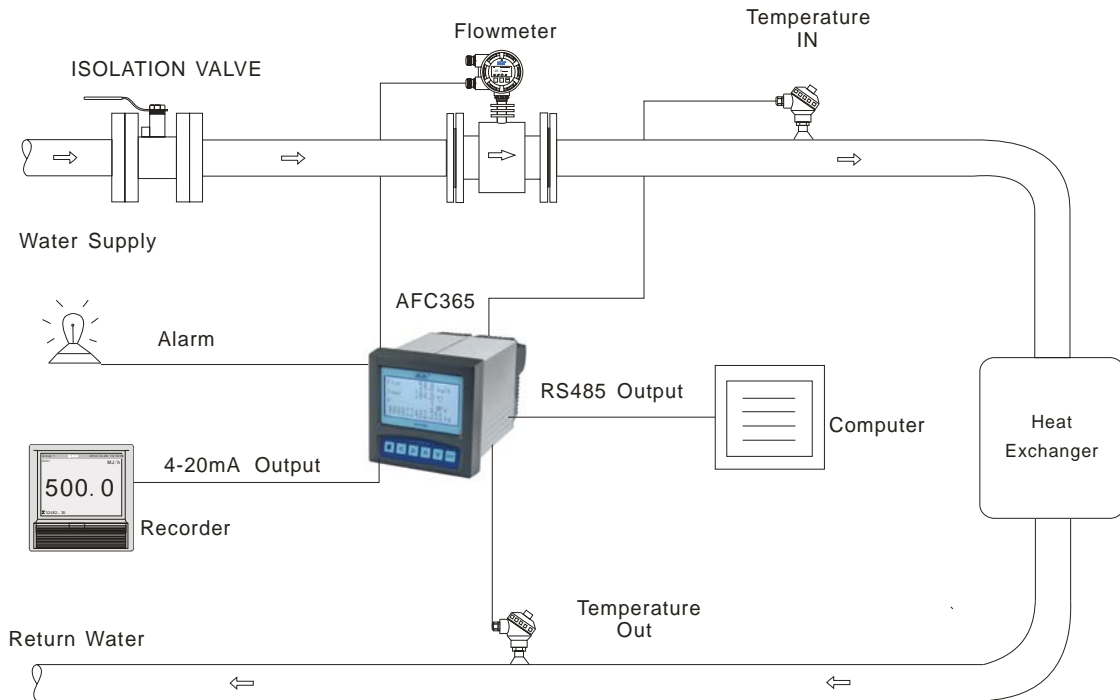
WIRING DIAGRAM



APPLICATION



Flow with Temperature / Pressure Compensation



Heating / Cooling Energy Calculator